

INTRODUCING

CLASSIC. Our 'Built to last' design! Robust solutions at competitive prices.



CLASSIC

Workplace Lockers

CLASSIC OVERVIEW

CLASSIC is our best selling range of steel lockers - robust solutions at competitive prices. Perfect for storing personal items and suitable for a variety of Industries. Our 'built to last' design offers security and is backed by lock options to meet your everyday requirements. Personalise with our range of doors, colours and accessories. CLASSIC is easy to install and easy to re-configure.

Products are made to order, so your order gets the attention to detail it deserves. Most frequently specified options are detailed, please call for alternative or bespoke requests on **02920 859600**

CLASSIC BENEFITS

- Businesses can offer as an employee benefit
- Boosts security
- Improve organisation, helps to keep main working areas free of clutter
- Encourages good practice
- Optimises space
- Position banks of lockers against a wall or use back-to-back as a workspace partitions
- Durable and strong
- Streamline aesthetics

COMPANY STANDARDS & MEMBERSHIPS



STANDARD SPECIFICATION

- Free-standing unit
- Steel Carcass / Steel Doors
- Standard paint finishes
- Spot welded design
- Key lock, supplied with 2 keys
- Unique one piece base
- Side gang holes - nuts + bolts supplied
- Locker doors are fitted with a vertical stiffener for added strength
- Internal fittings - detailed below
- Vents

OPTIONAL EXTRAS

- Lock options: Hasp & staple, Dual £1 coin lock, Token lock, Digital combination lock, Mechanical lock
- Numbering system
- Integral sloping top
- Locker Stands and seats
- Nests of 2 and 3
- Additional fittings - coat rails, hooks
- Vinyl graphic prints
- Hotbox
- Bespoke / Premium paints

1800 HIGH LOCKERS



CLA18D1**

H 1800mm

Options

W 225 X D 300
W 300 X D 375
W 375 X D 450*
W 450 X D 525*
W 525 X D 600*
W 600 X D 600*

Includes shelf
350mm from top
+ two rear coat hooks
*Includes a coat rail
+ one rear coat hook



CLA18D2**

H 1800mm

Options

W 225 X D 300
W 300 X D 375
W 375 X D 450
W 450 X D 450

DOOR H 835mm

Includes two
coat rear hooks
in each locker



CLA18D3**

H 1800mm

Options

W 225 X D 300
W 300 X D 375
W 375 X D 450
W 450 X D 450

DOOR H 568mm

No internal fittings



CLA18D4**

H 1800mm

Options

W 225 X D 300
W 300 X D 375
W 375 X D 450
W 450 X D 450

DOOR H 425mm

No internal fittings



1800 HIGH LOCKERS



CLA18D5**

H 1800mm

Options

W 225 X D 300
W 300 X D 375
W 375 X D 450
W 450 X D 450

DOOR H 340mm

No internal fittings



CLA18D6**

H 1800mm

Options

W 225 X D 300
W 300 X D 375
W 375 X D 450
W 450 X D 450

DOOR H 282mm

No internal fittings



CLA18D8**

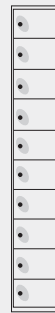
H 1800mm

Options

W 300 X D 300
W 300 X D 375
W 300 X D 450

DOOR H 212mm

No internal fittings



CLA18D10**

H 1800mm

Options

W 300 X D 300
W 300 X D 375
W 300 X D 450

DOOR H 169mm

No internal fittings

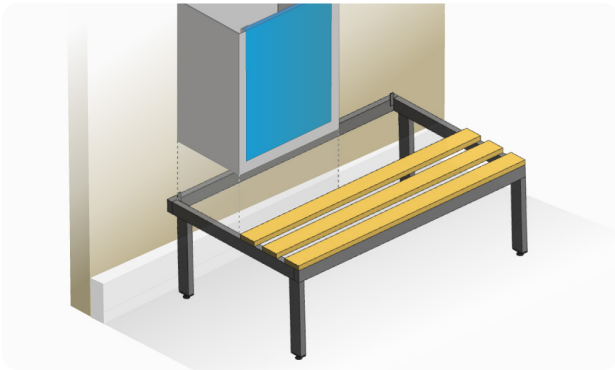
Bespoke options available
email projects@garran-workspaces.co.uk
for your FREE quote

OPTIONAL EXTRA

LOCKER STAND SEATS

- Steel frame durable powder paint coated
- Frame Colour: paint from the standard Garran range
- Seat slats colours:
Ash Slats -20mm thick clear varnish
SGL standard Garran range - 10mm thick
- Seat slats fixed through via the underside of the frame
- Suitable for locker depths: 300, 375 and 450mm
- Optional extra - aluminium frame, Silver texture finish

STAND SEATS

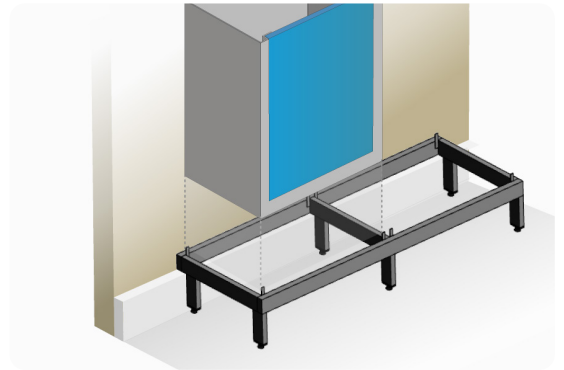


H 400mm
L 600, 750, 900, 1200, 1350, 1500, 1800mm
D 300 and 400mm

LOCKER STANDS

- Steel frame durable powder paint coated
- Frame Colour: paint from the standard Garran range
- Adjustable feet
- Welded construction
- Suitable for locker depths: 300, 375 and 450mm
- Optional extra - aluminium frame, Silver texture finish

LOCKER STANDS

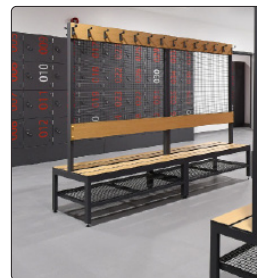
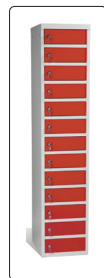
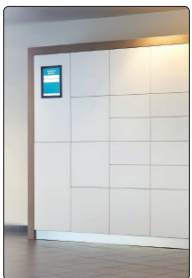


H 150mm
L 300, 450, 600, 750, 900, 1125, 1200, 1350, 1500, 1800mm
D 300, 375, 450mm

FIND YOUR PERFECT PRODUCT

Looking for a different solution? Try checking our alternative ranges;

- Premier Lockers - Steel Carcass / SGL doors
- SMART Lockers
- Heavy Duty Lockers
- Small Compartment Lockers
- Laptop Lockers
- Cloakroom Collections with Benches
- Cupboards
- Protective Screens
- Hygiene Hubs
- Technology options
- Industry Specific Lockers



STEEL PAINT

DOOR / CARCASE FINISHES

Paints unless detailed below are MATT finish - 30% Gloss.
 Feature BioCote antimicrobial technology which reduces the presence of microbes by up to 99.99%. BioCote is permanent and complements existing cleaning practices.



STANDARD COLOURS



BLACK
GAK-MN204E



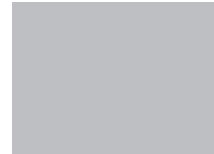
IRIS
GAK-EJ201E



WHITE RAL 9003
GAK-MA585E



IRISH
GAK-EK280E



LIGHT GREY
GAK-EL206E



CORNFLOWER
GAK-EJ203E



POPPY
GAK-EG290E



FLINT
GAK-EL209E

PREMIUM COLOURS - OPTIONAL EXTRA - MOQ 10* Units



SILVER TEXTURE
GAK-MW333E



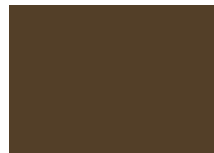
GLACIER
GAK-EK216E



HEATHER
GAK-EH227E



PEARL
GAK-ED204E



CHOCOLATE
GAK-EM210E



PINE GREEN
GAK-EF200E



NEW
CLEAR LACQUER
FINISH



REEF
GAK-EK221E



DAFFODIL
GAK-EE250E



SAND
GAK-EE220E



PASTEL ORANGE
RAL 2003
*MOQ 20



SILVER
RAL 9006

Clear lacquer, BioCote antimicrobial coating not included.

HOTBOX - OPTIONAL EXTRA

With Hotbox, the agile workplace flows. Hotbox is the vital link in the chain.
For a seamless agile workplace, your people have to move quickly and easily around the space.



HOTBOX1

H 190mm
W 312mm
D 182mm



HOTBOX2

H 311mm
W 435mm
D 140mm
*Accessories not included



SUSTAINABLE DESIGN

Ongoing investment in facilities, equipment and systems means we continuously improve business efficiency, whilst significantly enhancing the working environment for our people.

